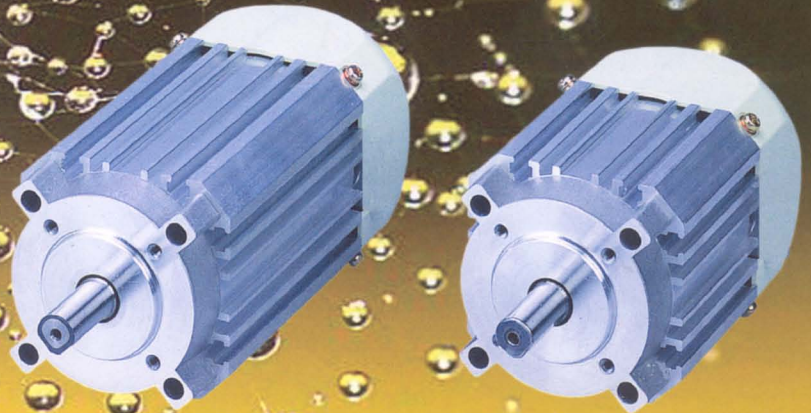


# HVP-70 SERIES AC SERVO MOTOR



The Attraction



MINI-MOTOR

CE

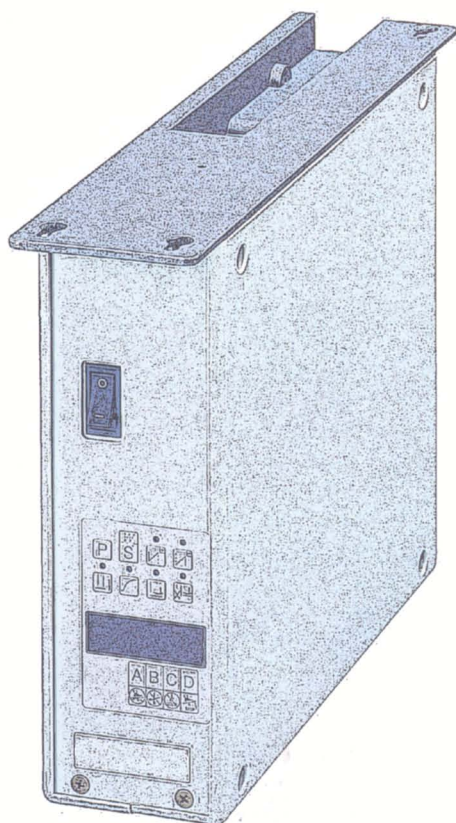
ISO 9001  
BSMI

CERT.NO.3A1Y004-03

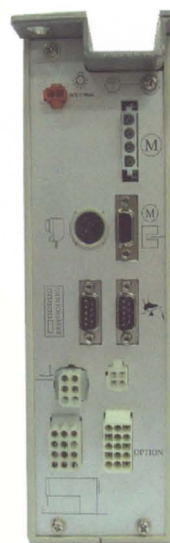
# HVP-70 SERIES AC SERVO

## Features

1. Highly accurate positioning.
2. Multi- Positioning mode.
3. Low noise \ low vibration and low power consumption.
4. Software / Hardware 2-way protection system.
5. Solenoid over current protector.
6. Switching power supply system. (160V~280V AC)
7. Powerful parameter system, easy adjustment and upgradable.
8. Self-Diagnostic function.
9. Only one circuit board inside, easy for maintenance.
10. Linkable to PC.



## Connector Panel



Multi-function def  
Total up to 26 set  
and adjusted b

Full functions in one box

## 7-SEGMENT DISPLAY

- 7-segment display, LED bright and clear.
- Parameter setting keys.
- Function keys.



## SPEED CONTROL UNIT

- Stand alone design.
- Easy install and adjustment.



Highly compatible and adaptable in application for sewing machine or s

# MOTOR



Direct Drive



Under Table

## AC MOTOR

- 500W for general machine head.
- 600W good for chain-stitch machine
- 750W for special or heavy duty machine head.



750W

600W

500W

## SYNCHRONIZER



800 Series



500 Series

able I/O port design  
f I/O port can be set  
he parameter

## OPERATION BOX

C-300



C-300B1



C-300--For Standard Mounting  
C-300B1--For Brother Built-in

- Stitches are clearly displayed on the LCD.
- Start / End back tacking can be set in 1~15 stitches.
- Pattern sewing can be set in 1~99 stitches.
- Linkable to PC.

## EDGE SENSOR



# Perfection



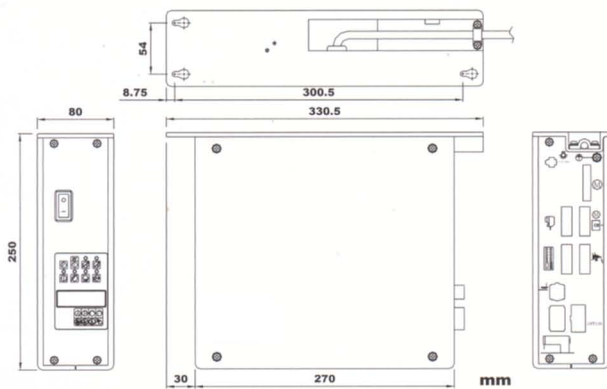
ial device.

# Specification

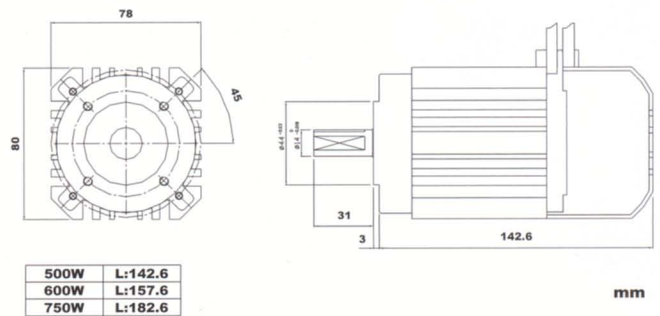
Function	HVP-70-3	HVP-70-4
Motor Type	500W-5000 rpm.	
	600W-3500 rpm.	
	750W-2500 rpm. / 750W-3500 rpm.	
Power Voltage Range	Single Phase : 100~120V / 200~240V	
	Three Phase : 200~240V	
Pulley Size Available	55~85 mm	
Needle Up / Down	★	★
Soft Start	★	★
Presser Foot Lifting	★	★
Trimmer / Wiper	★	★
Automatic Back-Tacking	★	★
Reverse at Stop	★	★
Power Transistor Protection	★	★
Power Module Protection	★	★
Input Signal Port	2	2(10-Option)
Solenoid Signal Output Port	4	8(4-Option)
Edge Sensor Input Port	0	2
Gross Weight	500W :9.9 / 600W :10.3 / 750W :10.9 kg	
Packing Dimension	400L X 350W X 320H mm	

# Dimension

Control box

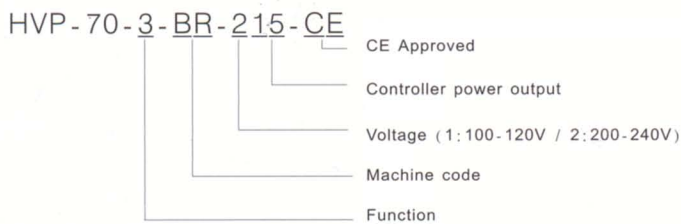


Motor



# Model Code

Control box



Motor

